



High efficient hardmount industrial washer-extractors

IA80 - IA105 - IA135

Features

- Rigid mounted, normal spin, 100G factor
- Stainless steel top and front panel, black side panels
- Stainless steel drum and tub
- Aries - easy to use microprocessor
- Patented soap hopper
- Large drain valve (Ø 76 mm)
- Easy access to all vital parts from the front
- Large door opening for easy loading & unloading

Options

- 175G factor
- Aries Elite - Fully programmable
- Coin operated
- Stainless steel side panels
- USB plug (on the back panel)
- Liquid soap connection
- Liquid soap pumps
- Water recovery kit
- Steam heating version
- Drain pump (IA80)
- 3rd water inlet



ERGONOMICAL
CONSTRUCTION



LARGE DOOR
OPENING



LOW WATER
CONSUMPTION



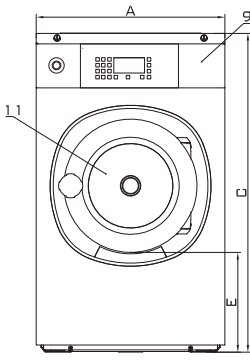
LOW ENERGY
CONSUMPTION

	IA80	IA105	IA135
Innerdrum			
Capacity 10:1	8 kg	11 kg	14 kg
Capacity 9:1	9 kg	12 kg	15 kg
Volume	75 l	105 l	135 l
Diameter	530 mm	620 mm	620 mm
Drum speed			
Wash	50 rpm	46 rpm	46 rpm
Extraction	580 rpm (100G) - 770 rpm (175G)	540 rpm (100G) - 710 rpm (175G)	540 rpm (100G) - 710 rpm (175G)
G-factor	100 (optional 175)	100 (optional 175)	100 (optional 175)
Heating			
Electricity	6 kW	9 kW	12 kW
Steam	1 - 8 bar	1 - 8 bar	1 - 8 bar
Hot water	90 °C	90 °C	90 °C
Sound pressure level	< 65 dB (A)	< 65 dB (A)	< 65 dB (A)
Water valves connection	3/4" BSP	3/4" BSP	3/4" BSP
Water pressure	100-800 kPa	100-800 kPa	100-800 kPa
Rec. Water pressure	300-500 kPa	300-500 kPa	300-500 kPa
Water inlet	20 l/min	20 l/min	20 l/min
Drain valve outer	Ø 76 mm	Ø 76 mm	Ø 76 mm
Flow amount with drain valve	210 l/min	210 l/min	210 l/min
Steam valve connection	1/2" BSP	1/2" BSP	1/2" BSP
Steam pressure	100-800 kPa	100-800 kPa	100-800 kPa
Transport data			
Gross weight	145 kg	185 kg	200 kg
Net weight	135 kg	170 kg	190 kg
Packing dimensions HxWxD	1245x710x835 mm	1355x800x835 mm	1355x800x950 mm

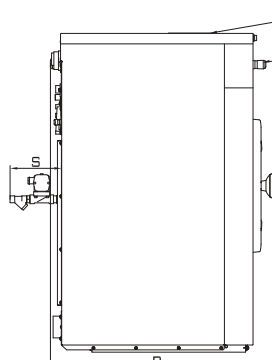
	A	B	C	D	E	F	G	H	I	J	K	L	M	N	O	P	Q	S
IA80	660	785	1115	676	349	166	88	920	1010	113	218	293	415	1020	1025	535	48	180
IA105	750	785	1225	676	342	225	98	1030	1120	113	218	338	505	1130	1135	480	42	192
IA135	750	900	1225	788	342	225	98	1030	1120	113	218	338	505	1130	1135	480	42	192
	width	depth	height															

	IA80
Water consumption	7,2 l/kg
Electricity consumption	0,19 kWh/kg

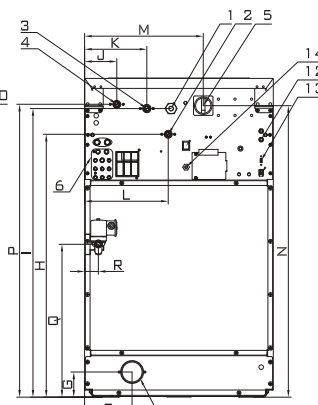
* Program No 11



FRONT



SIDE



BACK

- 1 Electrical connection
- 2 Hot water
- 3 Cold water hard
- 4 Cold water soft
- 5 Main switch
- 6 Liquid soap connection
- 7 Drain
- 8 Soap dispenser
- 9 Control panel
- 10 Button CENTRALSTOP
- 11 Door opening
IA80: Ø 460 mm
IA105, IA 135: Ø 410 mm
- 12 Fuses
- 13 USB port
- 14 Electrical connection to liquid soap pumps